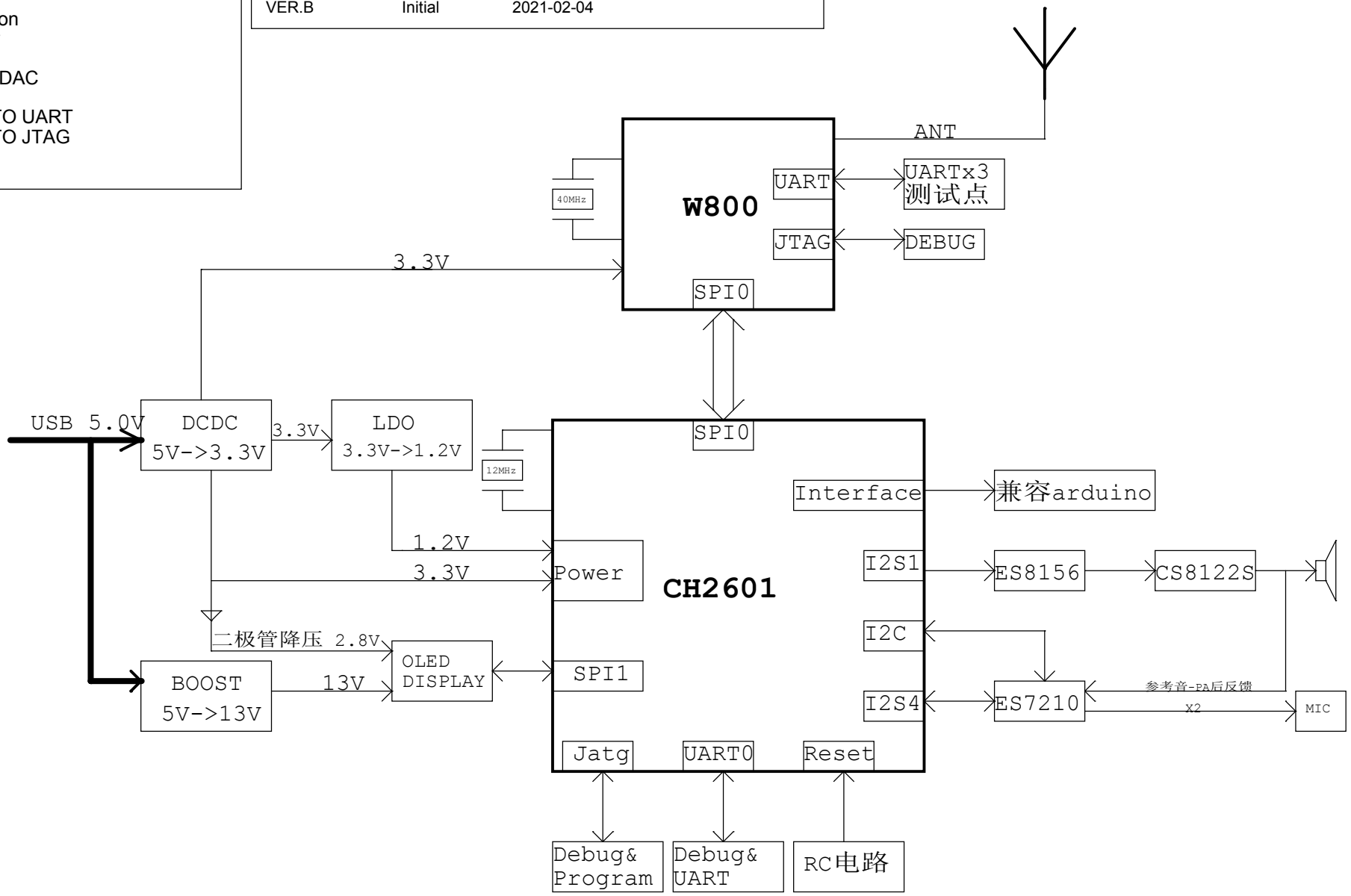


# REVISION HISTORY

## Schematics Index:

- 01 Revision
- 02 Power
- 03 MCU
- 04 ADC&DAC
- 05 PA
- 06 USB TO UART
- 07 USB TO JTAG
- 08 W800

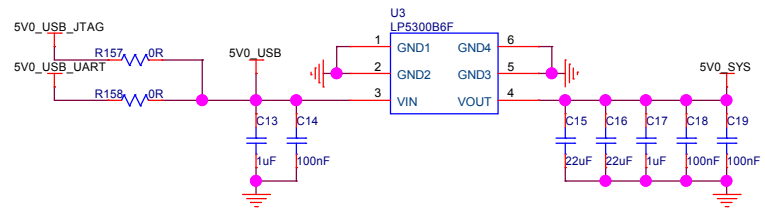
Revision	Description	Date	Drawn	Checked
VER.B	Initial	2021-02-04		



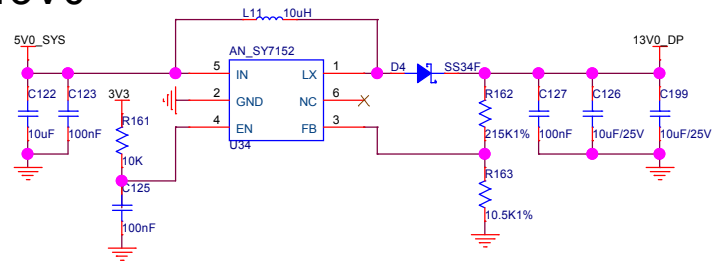
		Drawn by:
		Drawn Date: 2020-11-24
The name of PCB	Size A3	Checked by:
Title	Rev. VA	Checked Date:
Date: Monday, March 01, 2021	Sheet	1 of 8

# POWER

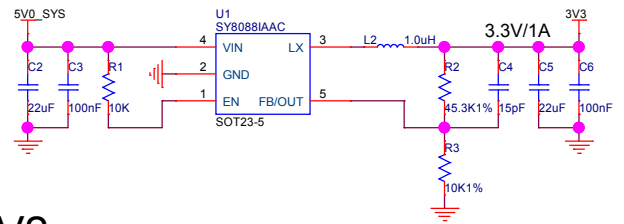
## OVP



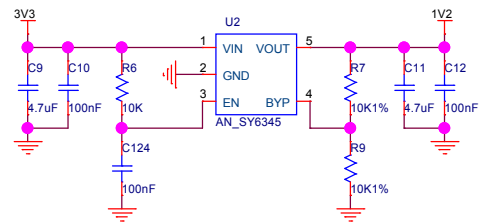
## 5V0→13V0



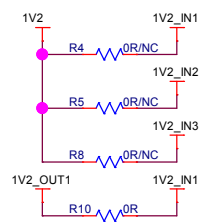
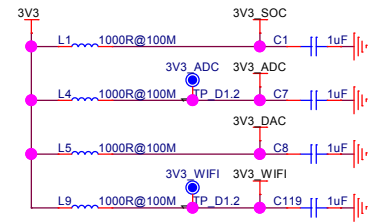
## 5V0→3V3



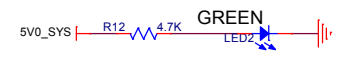
## 3V3→1V2



## POWER TREE

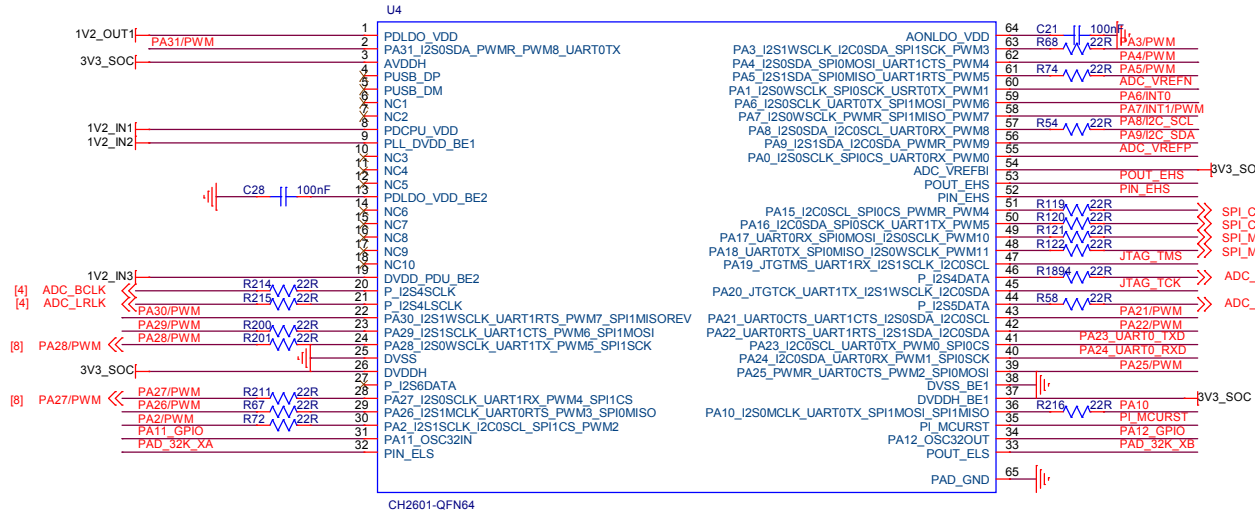
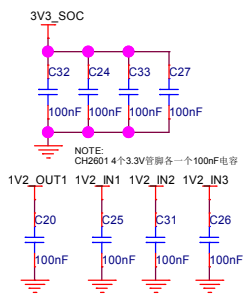


## POWER STATE

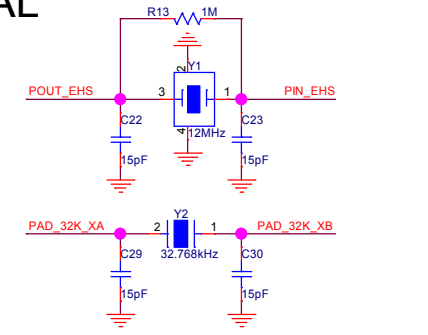


		Drawn by:
		Drawn Date: 2020-11-24
The name of PCB	Size A3	Checked by:
Title	Rev. VA	Checked Date:
Date: Friday, February 05, 2021	Sheet	2 of 8

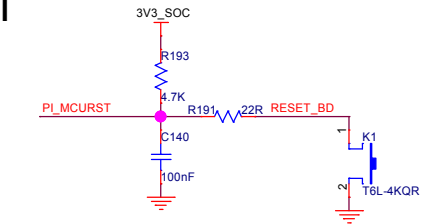
# CH2601



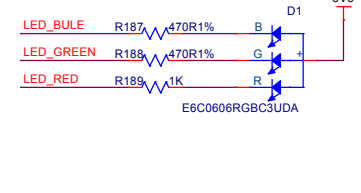
## XTAL



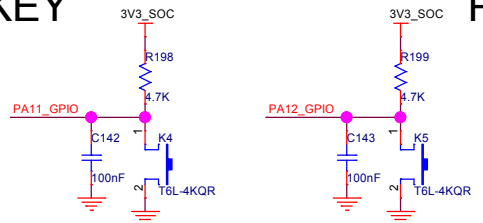
## RST



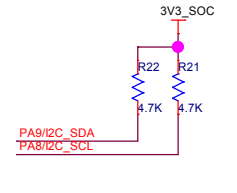
## LED\_RGB



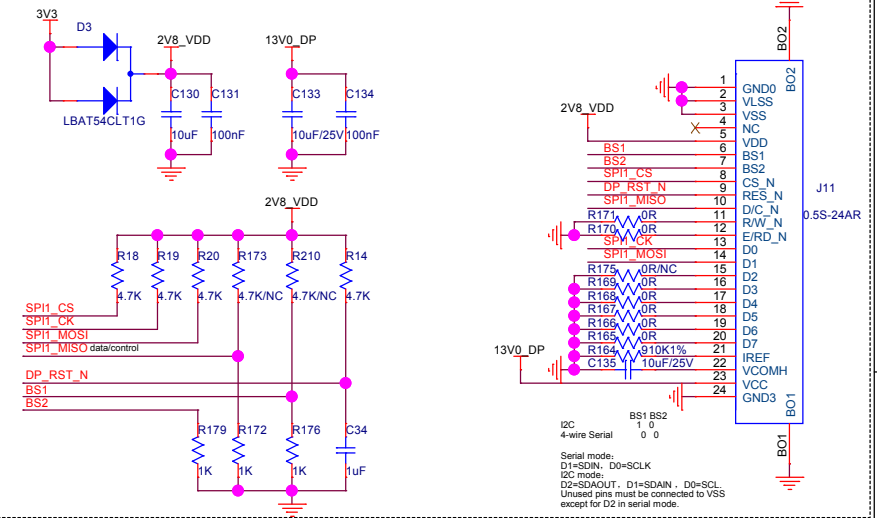
## KEY



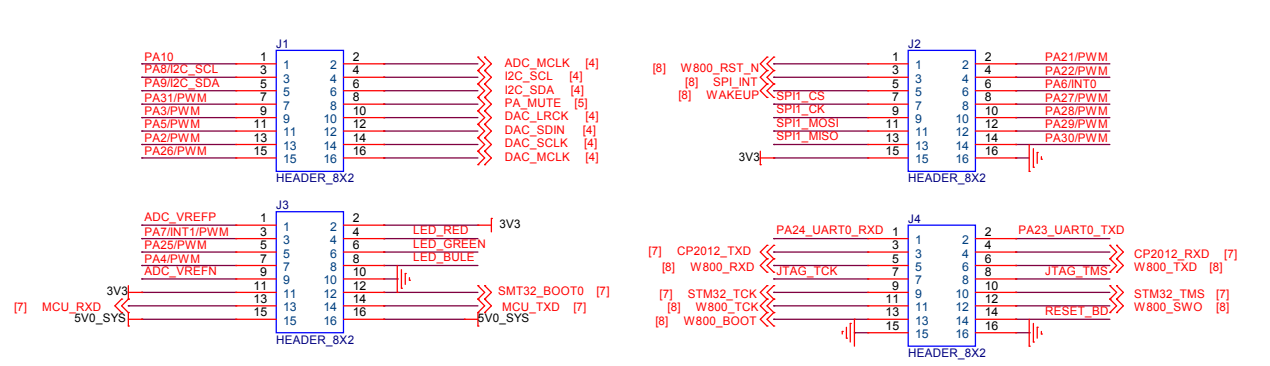
## PULL-UP



## OLED



## Arduino板接口



阿里巴巴  
Alibaba.com

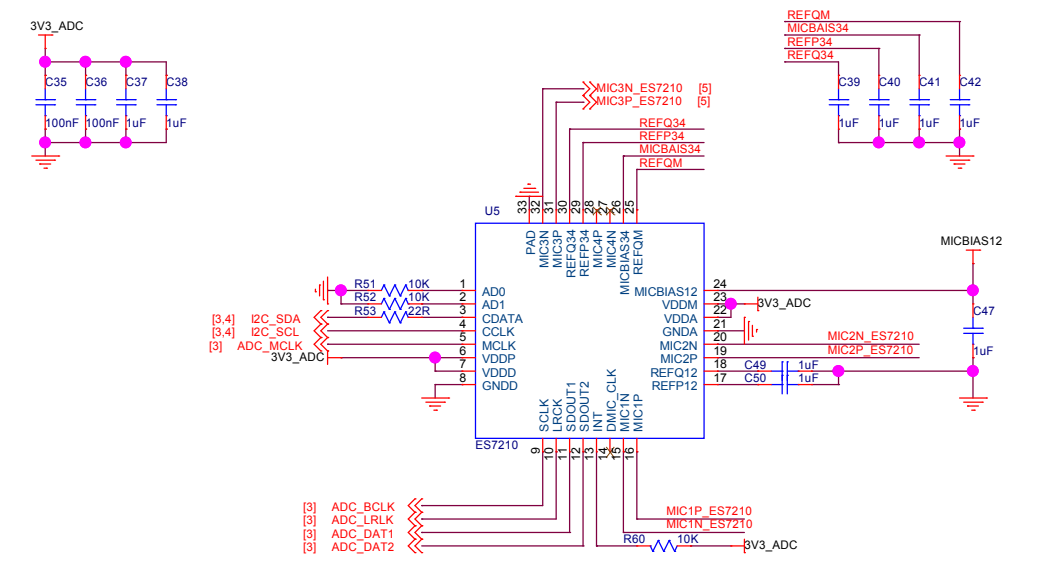
Drawn by: [Signature]  
Drawn Date: 2020-11-24

The name of PCB: [Blank]  
Size: A3  
Checked by: [Blank]

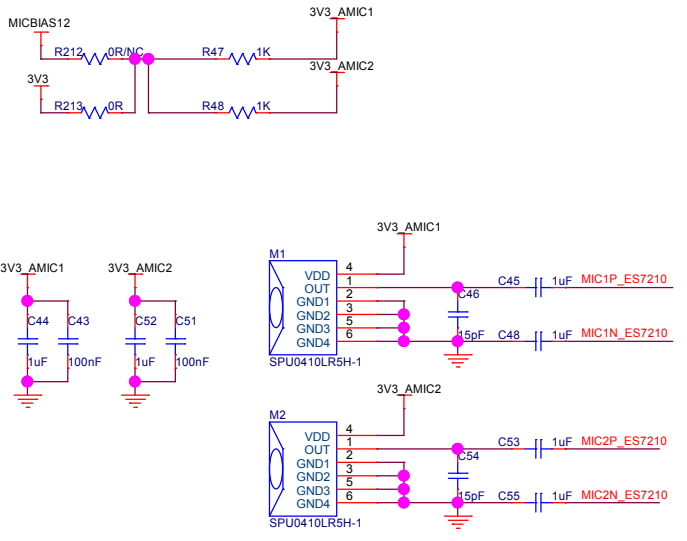
Title: [Blank]  
Rev: VA  
Checked Date: [Blank]

Date: Monday, March 01, 2021  
Sheet: 3 of 8

# ADC

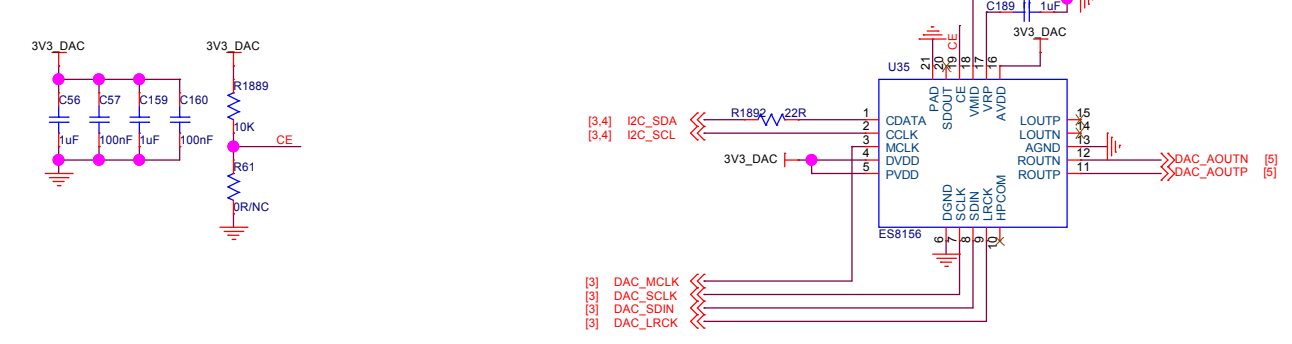


# MIC



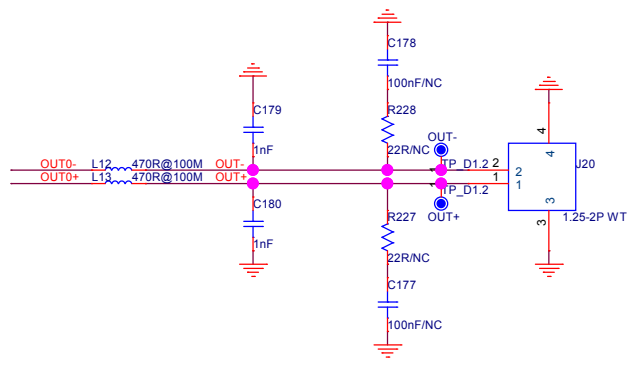
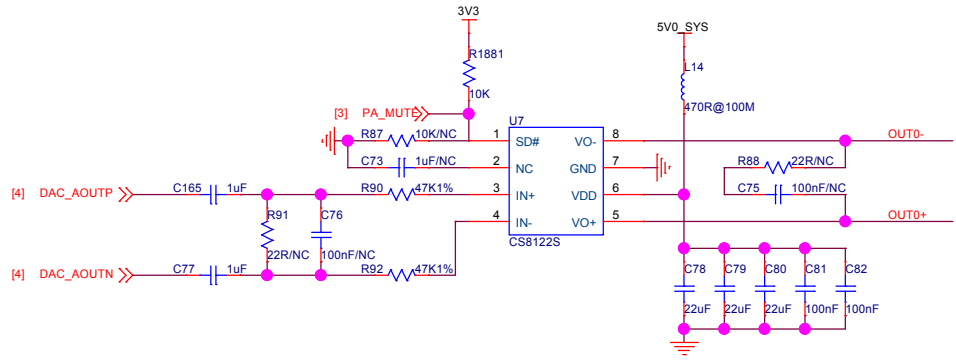
注意: MIC间距30mm

# DAC

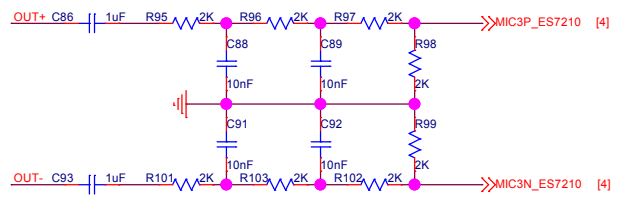


		Drawn by:
		Drawn Date: 2020-11-24
The name of PCB	Size A3	Checked by:
Title	Rev. VA	Checked Date:
Date: Friday, February 05, 2021	Sheet	4 of 8

# PA

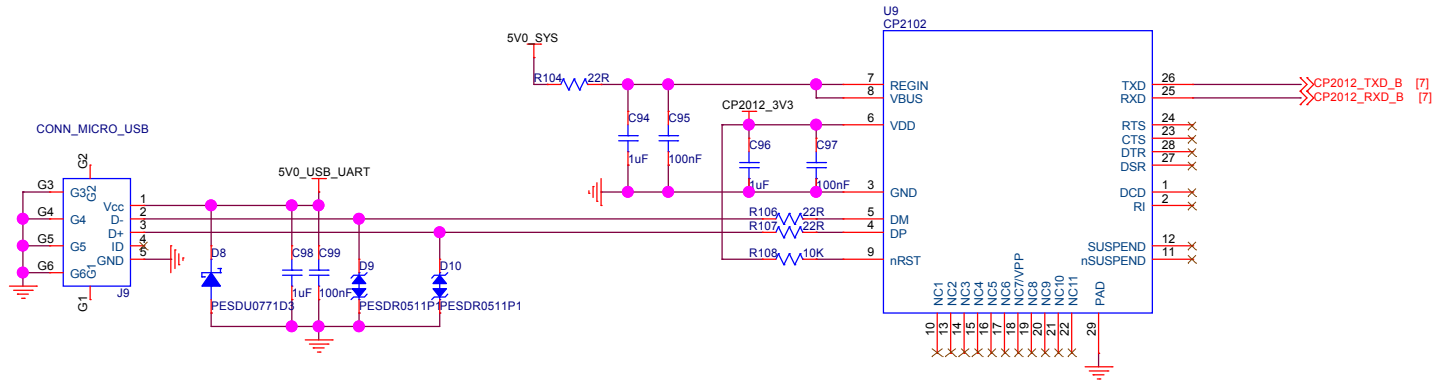


# PA后侧参考音



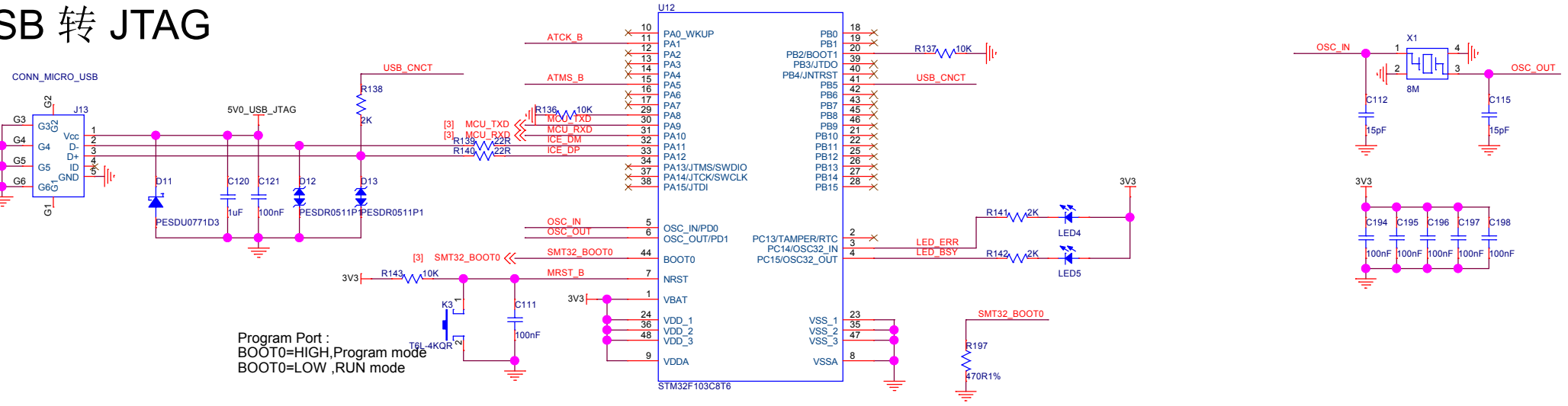
		Drawn by:
		Drawn Date: 2020-11-24
The name of PCB	Size A3	Checked by:
Title	Rev. VA	Checked Date:
Date: Friday, February 05, 2021	Sheet	5 of 8

# USB 转 UART

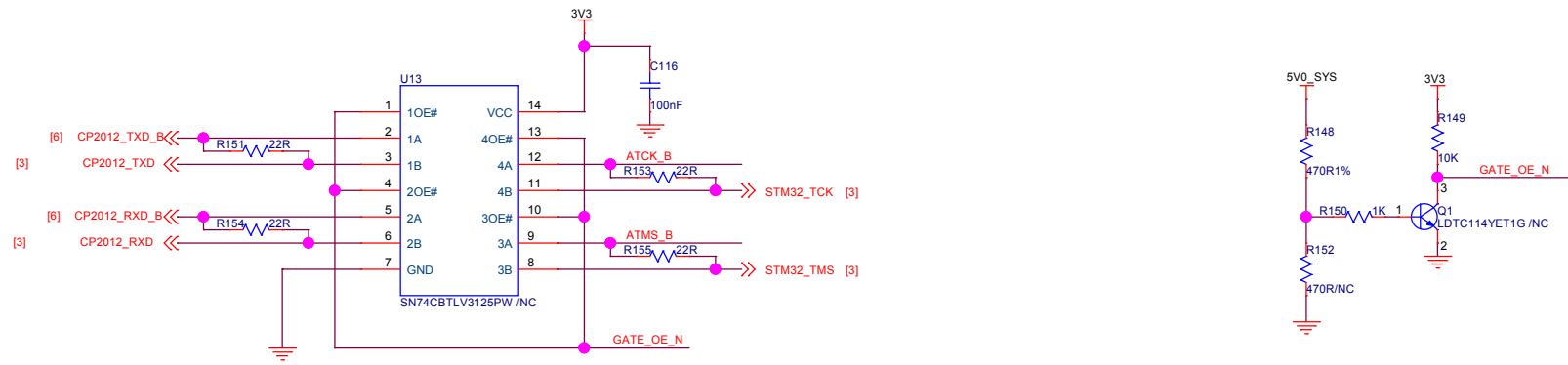


		Drawn by:
		Drawn Date: 2020-11-24
The name of PCB	Size A3	Checked by:
Title	Rev. VA	Checked Date:
Date: Friday, February 05, 2021	Sheet	6 of 8

# USB 转 JTAG

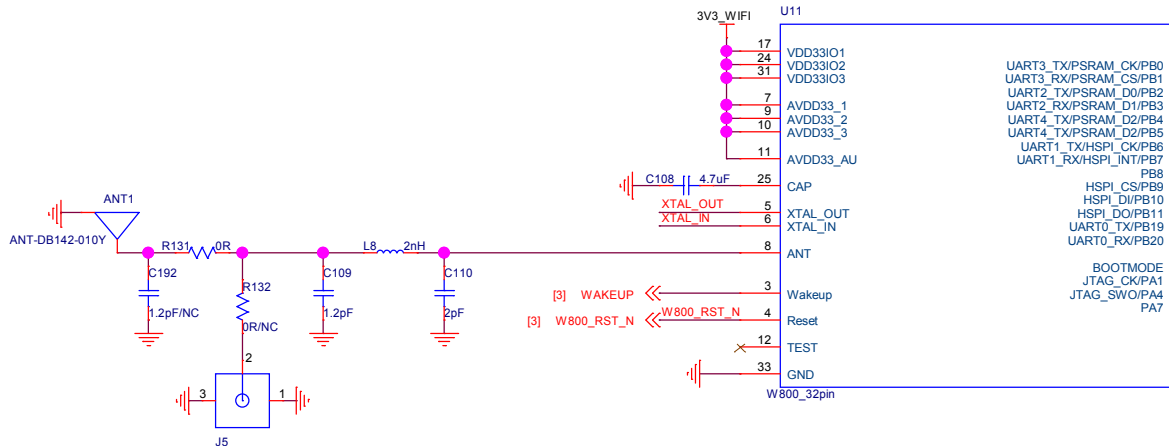


# 隔离

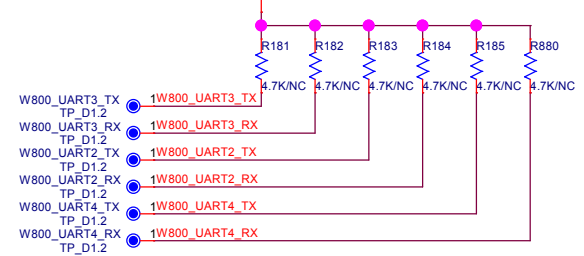
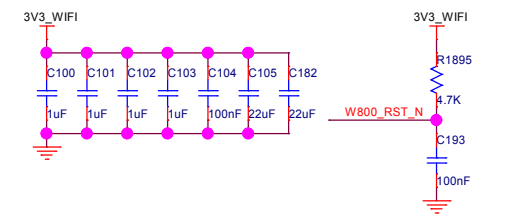
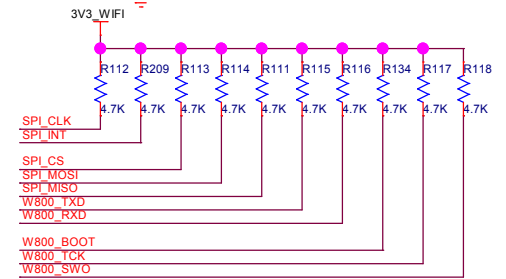
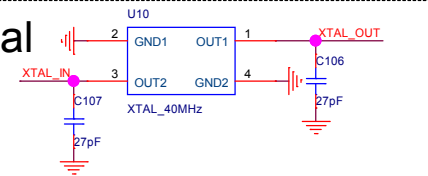


		Drawn by:
		Drawn Date: 2020-11-24
The name of PCB	Size A3	Checked by:
Title	Rev. VA	Checked Date:
Date: Friday, February 05, 2021	Sheet	7 of 8

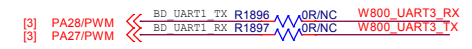
# W800



## 40M Crystal



## 预留串口连接



		Drawn by:	
		Drawn Date: 2020-11-24	
The name of PCB		Size: A3	Checked by:
Title		Rev: VA	Checked Date:
Date: Friday, February 05, 2021	Sheet: 8 of 8		